

# LUXON AZUD

## LCA

Automatic hydraulic screen filters suitable for all applications, and available in a wide range of micron sizes, all with the same high quality guarantee of AZUD.



## ADVANTAGES

- ✓ **Energy Efficient:** The consumption of water in the flushing cycle is minimal.
- ✓ **Wide selection of screens:** Screens available from 80 to 1000 micron.
- ✓ **Versatility:** Inlet/Outlet from 2" to 8" // 50-200 mm.
- ✓ **Resistance:** Temperatures to 60° C (140° F).
- ✓ **Large screen area:** Up to 4800 cm<sup>2</sup> (745 in<sup>2</sup>).
- ✓ **Resistant material:** The screen is manufactured in high quality stainless steel.
- ✓ **Time saving:** The filtration process and the flushing cycle occur simultaneously.
- ✓ **Easy installation:** The filters are delivered to be installed.

There are solutions available for working with pressures higher than 1 bar / 145 psi or saline water. Control unit is included.

## TECHNOLOGY

**AZUD LUXON filters continue to supply filtered water without interruption during the flushing cycle.**

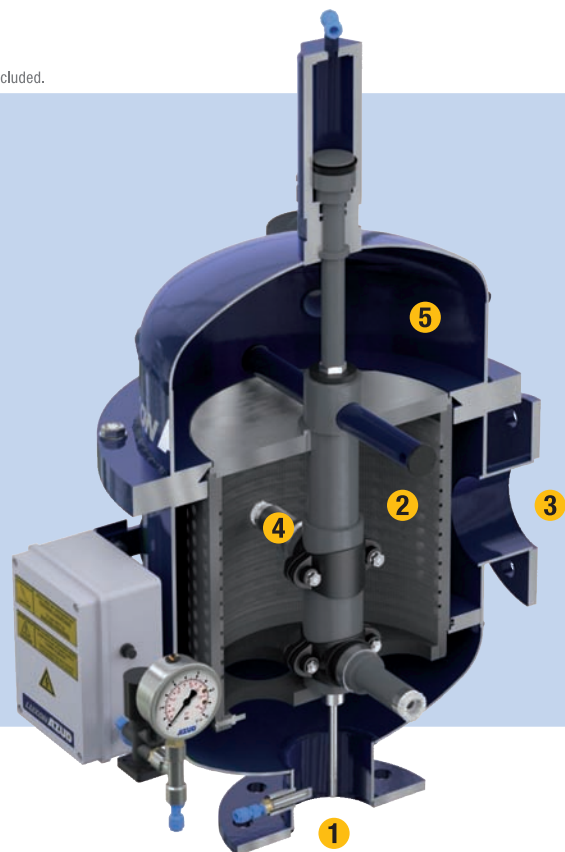
The water flows through the inlet (1) and enters the inside of the filter element.

The water then passes through the screen (2), and the particles are retained on the inside of the filter element (screen). The filtered water then flows out through the outlet (3).

When the pressure differential from inlet

to outlet of the filter reaches the pre-selected level the flushing cycle starts ( $\Delta P$ ). A hydraulic valve opens in the drain port, which initiates suction in the inner nozzles (4). This, along with the helical movement up and down the screen sucks the captured particles into the waste flow, and this is expelled out the drain port (5).

The length of the flush cycle is pre-determined by the control unit. When the cycle is complete the flush valve closes and the flushing ends. The flushing process uses a minimal amount of water.



Model	DN CONNECTION				Filtering Surface	
	Inlet - Outlet Flange		Drainage Female - Thread			
	"	mm	"	mm	cm <sup>2</sup>	in <sup>2</sup>
AZUD LUXON LCA 900/2	2"	50	1"	32	910	140
AZUD LUXON LCA 1600/3	3"	80	1"	32	1600	250
AZUD LUXON LCA 2400/4	4"	100	1"	32	2400	370
AZUD LUXON LCA 4800/6	6"	150	1"	32	4800	745

All models are with flange connections. DIN 2576  
Ask for the rest of configurations in [www.azud.com](http://www.azud.com)

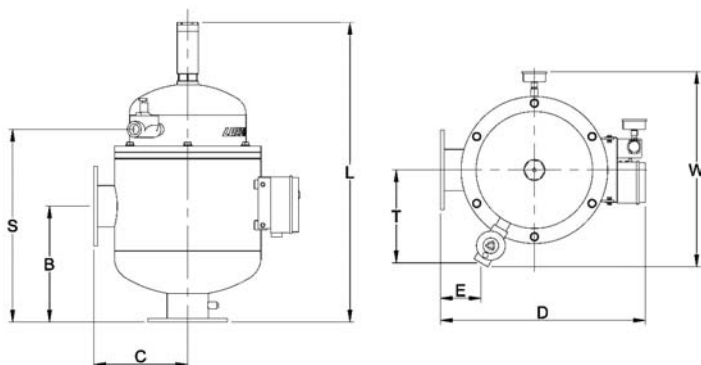
## MATERIAL

Housing of the filter	Carbon steel epoxy-polyester coated (S-235-JR EPOXY- POLYESTER coated)
Filtering element	Stainless Steel AISI-316-L. PVC Structure
Sealing elements	NBR
Drainage Valve	Polypropilene

Battery or 220V AC control unit included.  
Max. Pressure 10 bar / 145 psi • Min. pressure 2.5 bar / 36.3 psi  
Max. temperature 60°C / 140 F

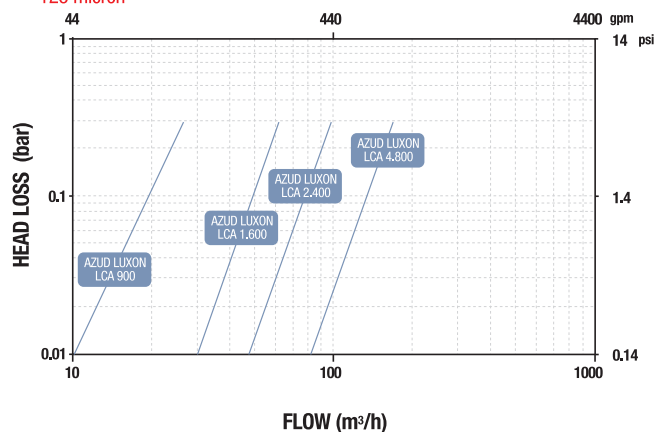
Model	CONNECTION		FILTRATION				FLUSHING CYCLE				
	Inlet - Outlet Flange		Filtering Surface		Max flow		Flow rate		Time	Volume	
	"	mm	cm <sup>2</sup>	in <sup>2</sup>	m <sup>3</sup> /h	gpm	l/s	gpm	s	l	g
AZUD LUXON LCA 900/2	2"	50	910	140	25	110	0.7	11	8	5	1.3
AZUD LUXON LCA 1600/3	3"	80	1600	250	50	220	0.8	13	15	12.5	3.3
AZUD LUXON LCA 2400/4	4"	100	2400	370	80	350	0.8	13	18	15.5	4.1
AZUD LUXON LCA 4800/6	6"	150	4800	745	150	660	2.5	40	20	53	14.0

The flow rate given by filter conditions the frequency of the flushing activation.  
Maximum recommended flow rate: 125 micron and water good quality.  
Min. flushing pressure: 2.5 bar / 36.3 psi at outlet manifold.  
Ask for other filtration grades.



## HEAD LOSS

125 micron



Model	DIMENSIONS										WEIGHT									
	L		W		D		B		S		C		E		T		Full filter Weight		Empty filter Weight	
	mm	"	mm	"	mm	"	mm	"	mm	"	mm	"	mm	"	mm	"	kg	lb	kg	lb
AZUD LUXON LCA 900/2	585	23	500	20	480	19	220	9	352	14	220	9	70	3	260	10	110	242	35	77
AZUD LUXON LCA 1600/3	720	28	500	20	480	19	250	10	427	17	220	9	70	3	260	10	136	299	45	99
AZUD LUXON LCA 2400/4	830	33	540	21	570	22	320	13	532	21	260	10	110	4	260	10	173	381	60	132
AZUD LUXON LCA 4800/6	1100	43	540	21	570	22	470	19	807	32	260	10	110	4	260	10	252	556	81	179

All models are with flange connections. DIN 2576  
Ask for the rest of configurations in [www.azud.com](http://www.azud.com)